

next bed™

Assembly Instructions

(Model: Next bed)

Wallbed Frame System used with or without cabinet

Contains Mechanism and Hardware
for a single, double or queen size
Next bed

**** 5 YEAR WARRANTY ****

Designed to Exceed
International ISO 9002 Standards for
Residential Specifications



Safety Information

Please read and understand the instructions prior to assembly. Incorrect installation of products could result in personal injury or physical damage.

- **It is recommended that only qualified trades persons and competent persons install and make adjustments to the wall bed.**
- **It is the consumers personal responsibility to ensure all persons are trained in operating the wall bed safely prior to use. It is recommended that only adults operate the wall bed. Failure to do so may result in injury or damage to person or product.**
- **It is essential that the wall bed is securely fixed to the wall or floor with the correct fixings. Risk of injury or death may occur if wall bed and / or cabinet is not correctly secured. Do not try to pull the bed down into the horizontal position unless it is fixed. Fixations must be checked regularly.**
- **Springs must be removed as a necessary first step in the deinstallation of a wall bed.**
- **Please ensure springs are kept well lubricated.**

Hideaway Ltd. and WBS Ltd. are not responsible for any damages or injuries incurred by incorrect installation or incorrect use of this product.

Project Start Up

- Familiarise yourself with all of the components in the Next bed kit, as well as thoroughly studying this manual so you may plan the steps required to complete the project.
- The cartons will have everything required to assemble the mechanism and rail set for the bed. You will need to source items the Kit does not include:
 - Panel Work for Cabinetry
 - Fixings for Cabinetry
 - Fixings to secure Cabinetry to Wall
 - Tools to complete assembly and installation
- Tools needed for installation: Power screwdriver, Phillips screwdriver, socket wrench and with 13mm socket and 10mm socket, tape measure, mole grip tool (Note use of a mole grip tool is recommended for good grip when adding and removing springs. This enables a tight hold of the spring end for gripping the spring and to leverage it into position.
- Tools included with the Next bed system are: 5mm Allen wrench, 4mm Allen wrench, 10/13mm wrench.
- Study all illustrations and plan drawings. Make sure that the space available is adequate for the specified dimensions of the bed, both in the open and closed positions (see Section 5 to cross check dimensions).
- Check the suitability of the floor and wall to ensure the fastening devices supplied with the product will withstand the forces generated: the value of the test force for each attaching point/bracket is 400N. Four screws are required and provided for each fixing point (4 per bracket).
- Springs should always be the last items to be installed on a Next bed given they are powerful and designed to last for many years of perfect operation.
- Please note only one bedding strap is provided. Additional bedding straps can be purchased from your supplier.

Deinstallation

- In the event of deinstallation, the Next bed must be in a vertical, stored position throughout and:
 - Springs must be removed first in any deinstallation.
 - Bolts and wall fixings should only be removed once all springs are removed.

next bed™

ASSEMBLY INSTRUCTIONS

Section 1: LAY OUT PARTS

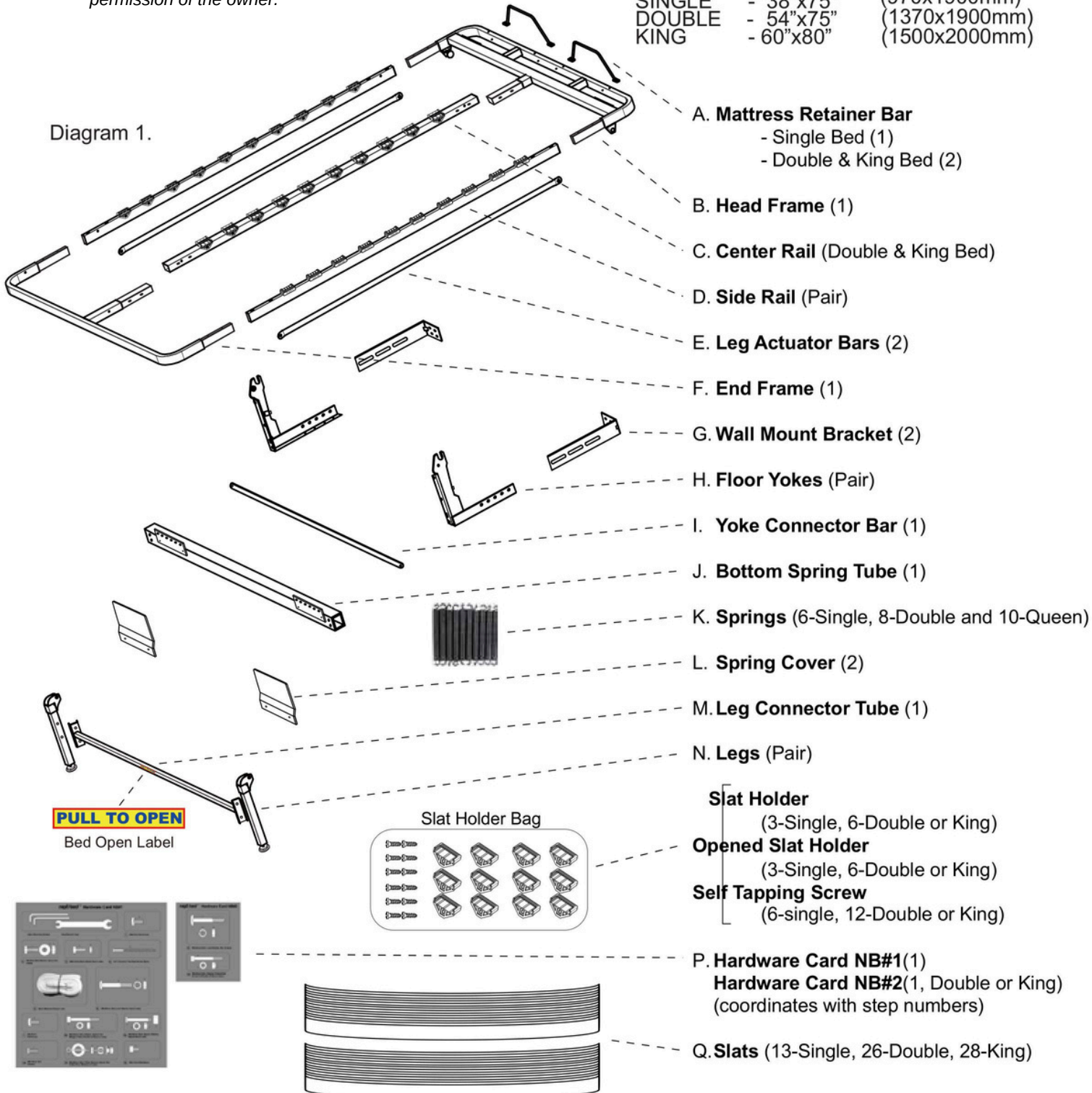
Unpack and familiarize yourself with the components. Single, Double and King size Next Beds™ are packed in 3 boxes (Single 2 boxes). Remove the entire contents of boxes and lay the components out on the floor in the manner of Diagram 1. Double check the cartons to be sure you have not missed any parts left in the packing materials. The Hardware is organized in the card step by step for convenience.

Do not remove hardware or Slat Holders until directed.

Copyright by Wallbed Systems Ltd. No part of this publication may be reproduced or transmitted without permission of the owner.

COMPONENT LIST		Mattress Size
SINGLE	- 35"x75"	(900x1900mm)
SINGLE	- 38"x75"	(970x1900mm)
DOUBLE	- 54"x75"	(1370x1900mm)
KING	- 60"x80"	(1500x2000mm)

Diagram 1.

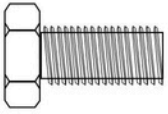


- A. **Mattress Retainer Bar**
- Single Bed (1)
- Double & King Bed (2)
- B. **Head Frame** (1)
- C. **Center Rail** (Double & King Bed)
- D. **Side Rail** (Pair)
- E. **Leg Actuator Bars** (2)
- F. **End Frame** (1)
- G. **Wall Mount Bracket** (2)
- H. **Floor Yokes** (Pair)
- I. **Yoke Connector Bar** (1)
- J. **Bottom Spring Tube** (1)
- K. **Springs** (6-Single, 8-Double and 10-Queen)
- L. **Spring Cover** (2)
- M. **Leg Connector Tube** (1)
- N. **Legs** (Pair)
- Slat Holder**
(3-Single, 6-Double or King)
- Opened Slat Holder**
(3-Single, 6-Double or King)
- Self Tapping Screw**
(6-single, 12-Double or King)
- P. **Hardware Card NB#1**(1)
Hardware Card NB#2(1, Double or King)
(coordinates with step numbers)
- Q. **Slats** (13-Single, 26-Double, 28-King)

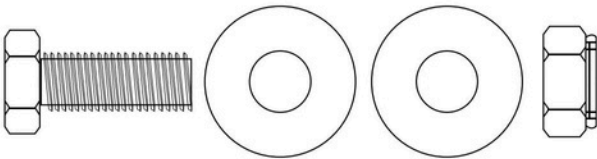
Section 2: YOKE ASSEMBLY

Assemble the Yoke Assembly components as shown. If you are installing the bed in a 16" deep cabinet, fasten the Floor Yokes and Wall Mount Brackets together not to exceed a 15" projection from the base board or wall. Secure the Yoke Assembly to the base or wall with the screws provided while following the steps below. *Match fasteners with the actual-size drawings to ensure you use the correct pieces.*

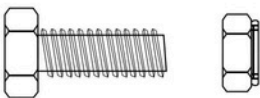
1. Attach the Bottom Spring Tube (J) to the Floor Yokes (H).
M8x20mm Bolt (4pcs)



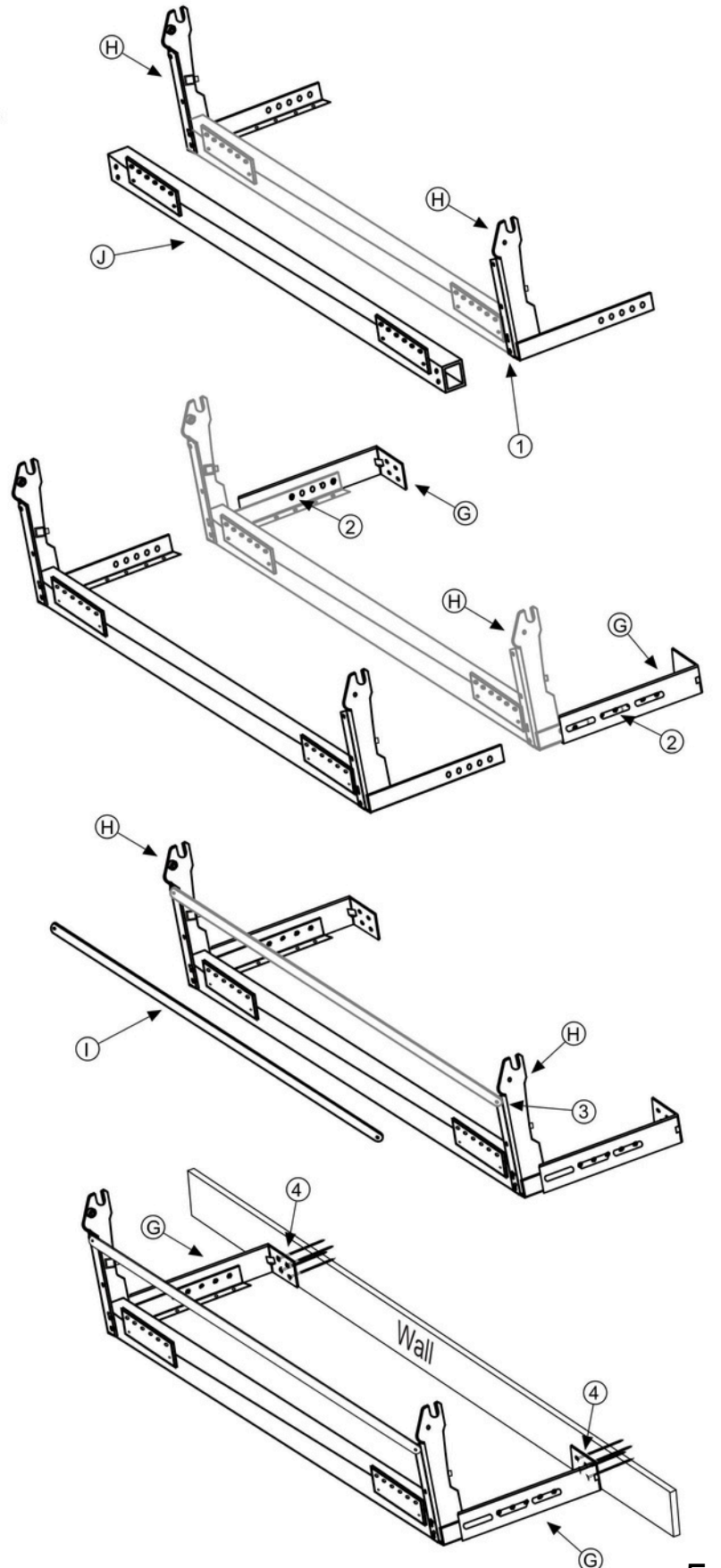
2. Attach the Wall Mount Brackets (G) to the Floor Yokes (H) using the Bolts, Nuts and Washers shown below. Place bolt heads on outside. Do not tighten bolts now so you can adjust later.
M8x20mm Bolt, 2 Flat Washers, Nylock Nut (4 sets)



3. Attach Yoke Connector Bar (I) to the Floor Yokes (H).
M6x18mm Bolt, Nylock Nut (2 sets)

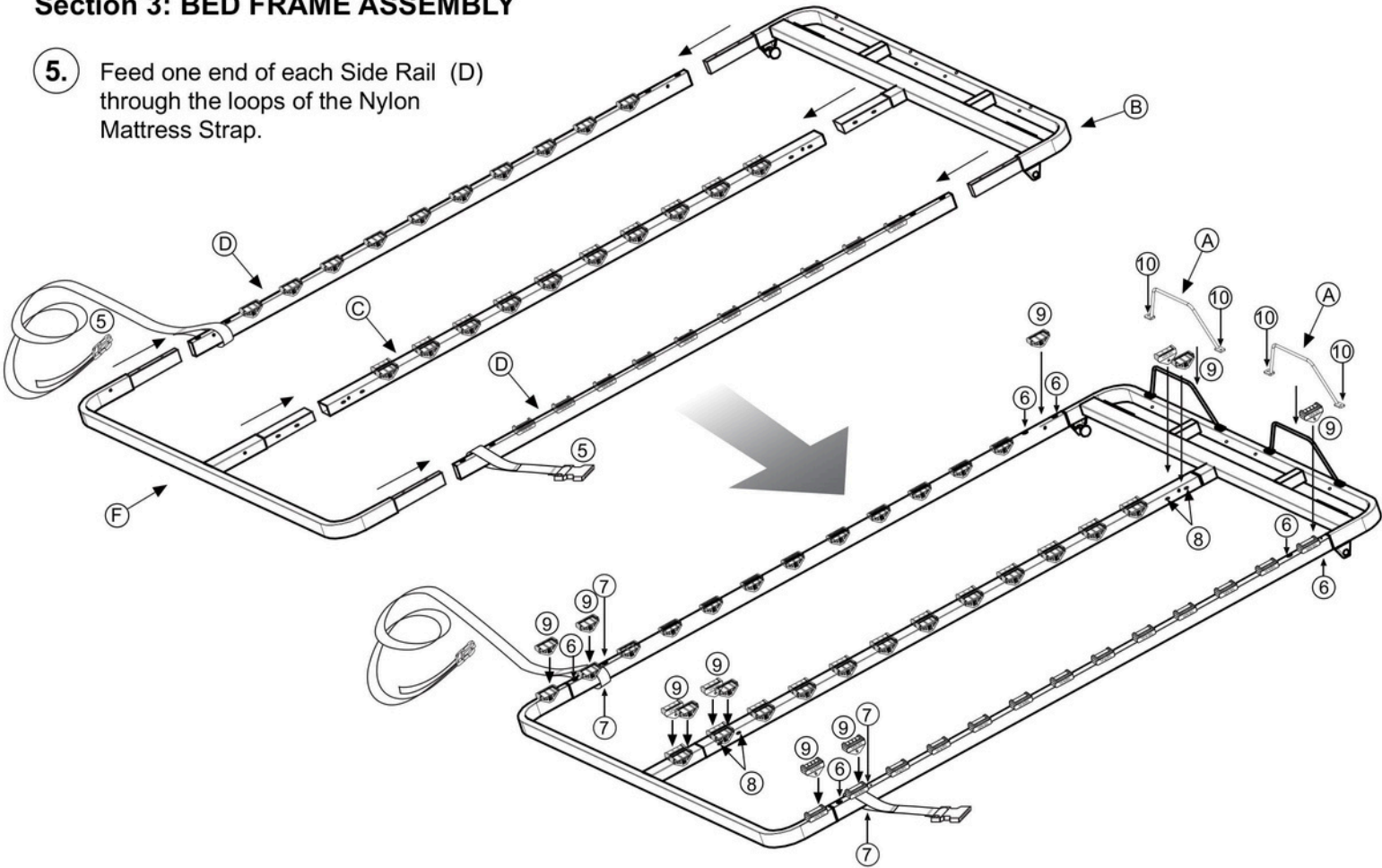


4. Insert screws through Wall Mount Brackets (G) and into Wall and Base Board at a downward angle.
8-3" (76.2mm) Flat Head Screw (8pcs)

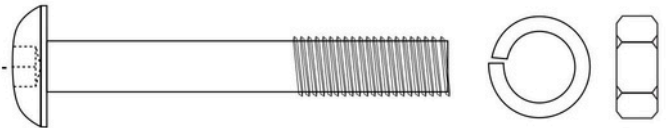


Section 3: BED FRAME ASSEMBLY

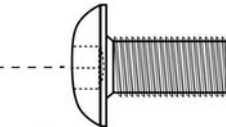
5. Feed one end of each Side Rail (D) through the loops of the Nylon Mattress Strap.



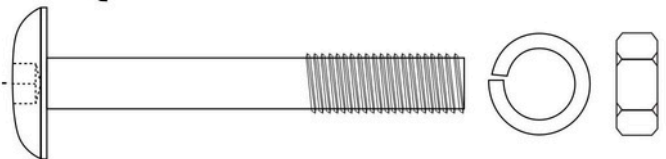
6. Slide End Frame (F), Head Frame (B), Side Rails (D) and Center Rail (C) together as shown. Attach End Frame (F) and Head Frame (B) to Side Rails (D); 2 bolts at foot, 4 bolts at head.
M8x53mm Bolt, Lock Washer, Nut (6 sets)



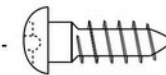
7. Attach End Frame (F) to Side Rails at Leg end. Bolts do not go through frame.
M8x16mm Bolt (4pcs)



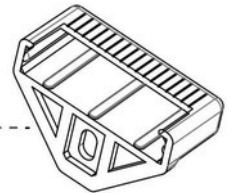
8. Attach End Frame (F) and Head Frame (B) to Center Rail (C). (For Double and King Beds only)
M8x55mm Bolt, Lock Washer, Nut (4 sets)



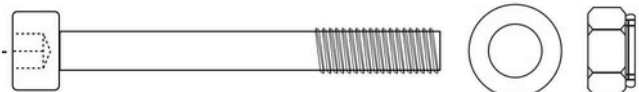
9. Attach Opened Slat Holder (O) to End Frame (F) and Center Rail (C).
One Slat Holder across from one Open Slat Holder
#5x16mm Self-Tapping Screw (12pcs)



Open Slat Holder attach to Side Rails and Center Rails - not shown to scale
(6pcs-Single, 12pc-Double and King)



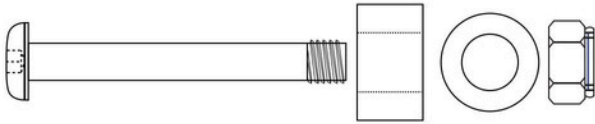
10. Attach Mattress Retainer Bar (A) to Head Frame (B)
M6x50mm Bolt, Washer, Nylock Nut
(Single-2 Sets, Double and King-4 sets)



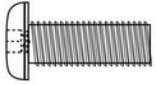
****Do not attach Leg Actuator Bars (E) at this time****

Section 4: LEG ASSEMBLY

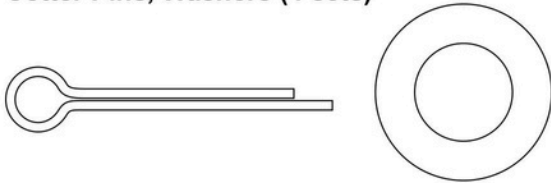
11. Stand the assembled frame. Lift and set the hinge axles of the Head Frame (B) into the hinges of the Yoke Assembly.
12. Stabilize the frame in the vertical position by applying one spring on either side (Photo 1).
13. Attach Legs (N) to Side Rails (D), see Detail A. Do not over tighten so Legs may pivot freely.
M6x42mm Bolt, Spacer, Washer, Nylock Nut (2 sets)



14. Attach Leg Connector Tube (M) to Legs (N) as shown.
M6x16mm Bolt (4 sets)

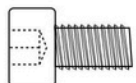


15. Attach Actuator Bars (E) to the Leg Brackets (N) with Cotter Pins (see Detail A), then to the Floor Yokes (H) with Cotter Pins. Bend back ends to secure.
Cotter Pins, Washers (4 sets)



16. Rotate the bed down horizontal and install the Slats (Q) by slipping one end into the closed Slat Holder and flexing the slat slightly and tapping it into the open ended Slat Holder.
17. Put Mattress in place and secure with Nylon Web Strap.
18. Install proper number of Springs to balance. Raise bed frame with mattress to the vertical position. Add an equal number of springs on each side until the bed frame is almost weightless at the 45* angle. Remember that the system will weigh slightly more when bedding is added to the system. See Photo 1.

19. Install the Spring Covers (L) to the Bottom Spring Tube (J) to cover the installed springs.
M6x10mm Bolt (4pcs)



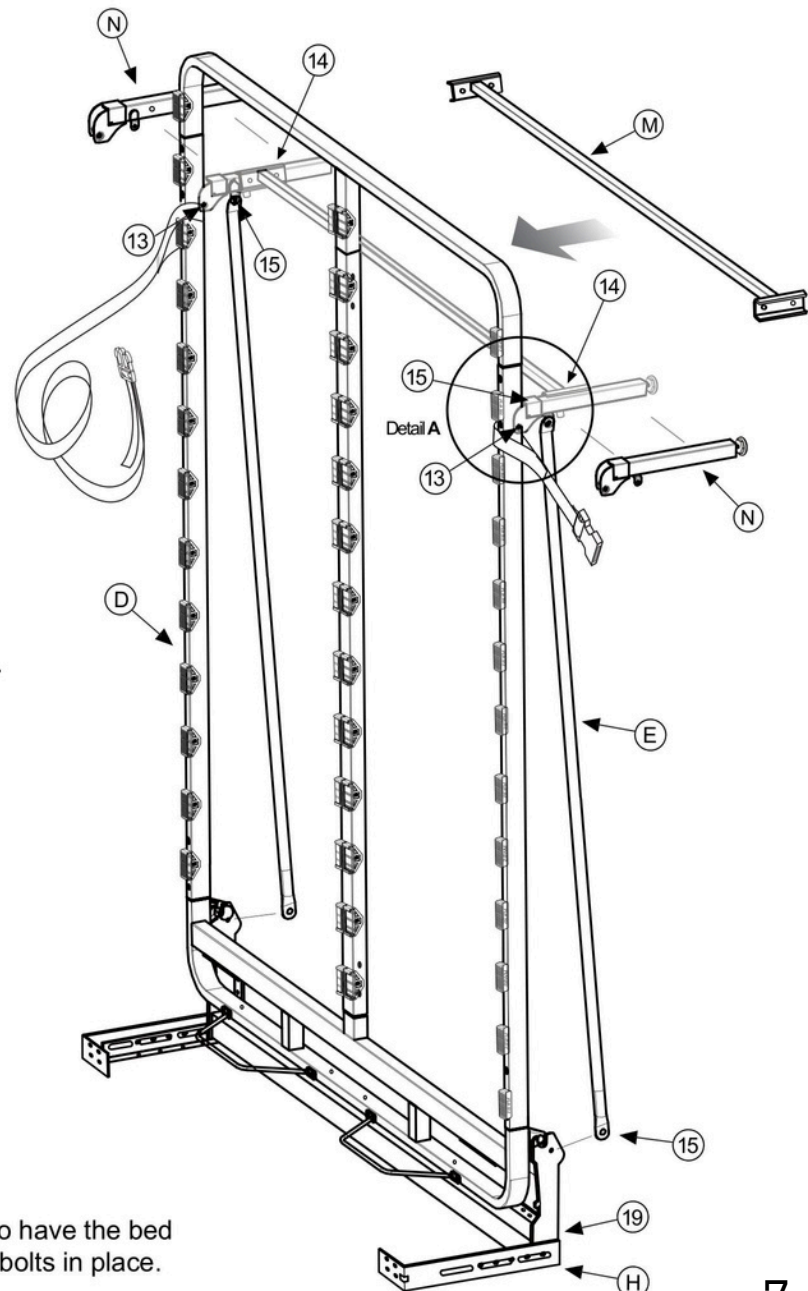
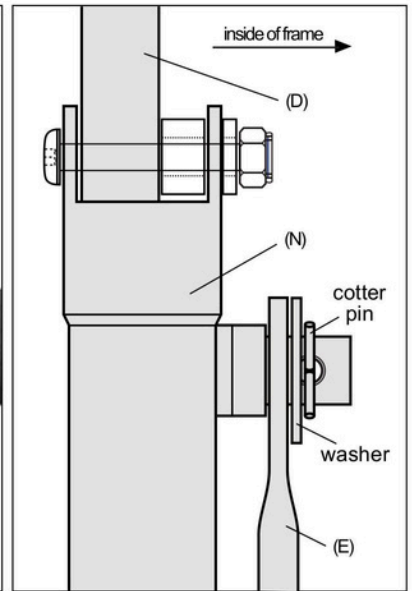
20. Adjust the Wall Mount Brackets on the Yoke Assembly to have the bed operate at the minimum distance from the wall. Tighten bolts in place.

Photo 1



First hook bottom of spring in the Bottom Spring Tube (J), then using vice grips pull up and set the top spring hook. You may use leverage from the Yoke Connector Bar (I).

Detail A - not full scale



Section 5: Next Bed MEASUREMENTS

To assist in floor space planning and bed cabinet fabrication. inches(centimeters)

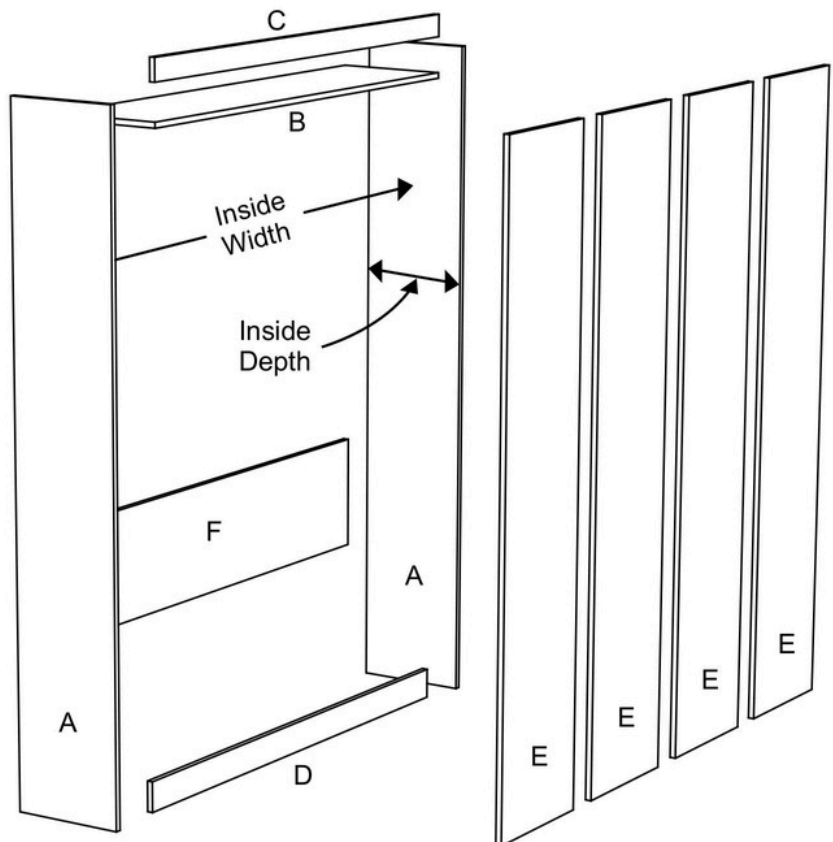
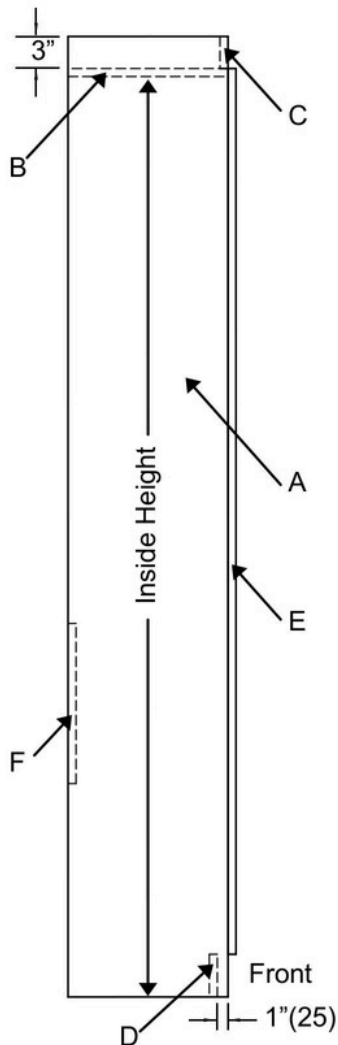
Measurements with mattress up to 8" (20cm)	Single	Double	King
Next Bed frame width	36"(91)	53"(135)	59"(150)
Next Bed frame height	80"(203)	80"(203)	85"(218)
Projection from wall (P) - Bed closed	13"(33)	13"(33)	13"(33)
Projection from wall (P) - Bed in use	80"(204)	80"(204)	84"(214)
Height - Floor to top of mattress in use	24"(61)	24"(61)	24"(61)
Suggested inside cabinet depth	16"(41)	16"(41)	16"(41)
Suggested inside cabinet width	43.5"(110)	58.5"(149)	64.5"(164)
Suggested inside cabinet height	81.25"(206)	81.25"(206)	86.25"(219)
Mattress size width	36"(90)	54"(137)	60"(152)
Mattress size length	75"(190)	75"(190)	80"(203)

Next Bed may be used with or without a cabinet. The cabinet does not attach to the Next Bed mechanism. The cabinet must be secured to the wall to insure its position relative to the Next Bed frame. Allowances have been made within the interior cabinet sizes to provide for bed linens to easily be enclosed in the available space.

Listed are the suggested bed cabinet components, the finished cabinet installed sizes, and the measurements for a 16" (41cm) deep cabinet with a 8" (20cm) thick mattress. If you wish to use a mattress thicker than 8" (20cm), you must increase the depth of the cabinet components - the side panels and the main header, proportionally.

Section 6: CABINET COMPONENTS

- Top Valance (C) mounts on top of the Main Header (B)
- The top of the Main Header (B) is 3" down from the top of the Side Panels (A)
- The Doors (E) are mounted 3" down from the top of the Side Panels (A)
- Outside Doors(E) mount to Side Panels(A) with hinges from inside
- The Bottom Kick(D) is recessed 1" from the front edge of the Side Panels (A)



Section 7: CABINET CUT LIST

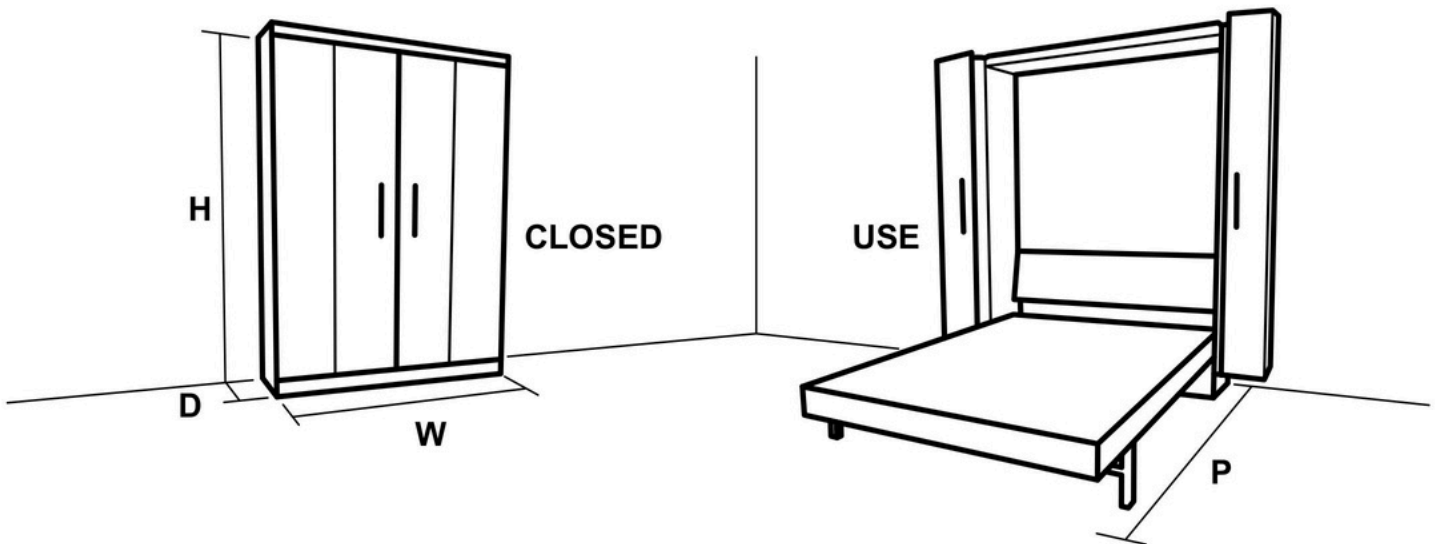
All dimensions are finished sizes. All material is 3/4 inch thickness. inches(centimeters)

Part	Description	Qty.	Single	Double	King	Finished Edges
A	Side Panels	2	85"(213)x16"(41)	85"(213)x16"(41)	90"(229)x16"(41)	1 Long
B	Main Header	1	43.5"(110)x16"(41)	58.5"(149)x16"(41)	64.5"(164)x16"(41)	1 Long
C	Top Valance	1	43.5"(110)x3"(8)	58.5"(149)x3"(8)	64.5"(164)x3"(8)	0 Edges
D	Bottom Kick	1	43.5"(110)x4"(10)	58.5"(149)x4"(10)	64.5"(164)x4"(10)	1 Long
E	Doors	3	78"(198)x15"(38)	—	—	4 Edges
E	Doors	4	—	78"(198)x15"(38)	83"(211)x16.5"(42)	4 Edges
F	Headboard	1	43.5"(110)x15"(38)	58.5"(149)x15"(38)	64.5"(164)x15"(38)	2 Long

Section 8: FOOTPRINT DIMENSIONS

Cabinet Size & Projection from Wall

All beds accept mattress thickness up to 8" (20cm) (see footnote for thicker mattresses). inches(centimeters)



next bed™ Cabinet Sizes

	Single	Double	King
Cabinet Size DxWxH	16"x45"x85" (41x114x213)	16"x60"x85" (41x152x213)	16"x66"x90" (41x168x229)
Projection from wall (P) Bed in use	82" (208)	82" (208)	87" (221)
Mattress Size - WxL 8"(20) thick	39"x75" (90x190)	54"x75" (137x190)	60"x80" (152x203)

If you wish to use a mattress thicker than 12" (30), you must mount the Next Bed frame a greater distance from the wall by extending the Wall-Mount-Brackets. The cabinet may be made deeper by increasing the width of the Side Panels (A) and the Main Header (B) only. All other cabinet components remain the same. (Refer to Cabinet Cut List above)