



Hideaway Bed Frame and Cabinet Assembly Guide

CAVOBT(E)150x200cm CABINET CONSTRUCTION & ASSEMBLY GUIDE

Issued 02/07/12, Hideaway Beds Ltd

Revised: 06/07/12, 01/10/12, 14/11/14, 28/11/14, 19/05/16, 13/07/17

By using this guide, you hereby agree to the following:

Our own patent internationally protects all manufactured items. Your statutory rights as a consumer are not affected. Please note that we practice a policy of continual review and reserve the right to change the above guide at any time without notice. E&OE Hideaway Beds Ltd July 2017.

www.hideaway.co.uk T: 01752 511111 info@hideaway.co.uk

Unit 1, Bluewater Estate, Bell Close, Plympton, Devon, PL7 4JH

The following notes are intended as a guide for the construction of cabinets to mount and accommodate the Hideaway (CAVOBT(E)) 150 mechanisms and bed frames. Due to the difference in cabinet making styles and fitting techniques, it is suggested that a prototype cabinet is made using this guide in order to tailor these instructions to suit your individual requirements.

IMPORTANT: If packaging is damaged check bed frame for any damages and all components are present. If any items are missing contact your retailer immediately. Under NO circumstances store/lay objects under the bed or between the door and bed-frame when in the horizontal position, doing so will result in damages to the door and bed frame.

Component List

1 X Bed frame (in 2 pieces)	2 X Bedding straps
3 X Bed frame joining bars	2 X Mounting Plates + fixings
5 X Joining bars for doors	2 X Mechanisms
2 X Mattress support bar	1 X Mechanism fixing kit
2 X Leg-Guides	2 X Wall brackets
2 X Adjustable feet	2 X Sub-frame bars

Suggested Cabinet Dimensions

1. For cabinet dimensions see attached drawing
2. The cabinet should be made from 18 mm thick panels
3. The overall cabinet height can be varied by altering the size of the top door. This in turn will make the footboard higher or lower than the mattress when the bed is down. The bottom door **MUST** always be 1615 mm high.
4. Cabinet widths are indicated on the attached drawings and obviously vary with bed size, but the internal measurement must always be 64 mm wider than the bed frame to accommodate mechanisms and mountings.
5. The plinth height should be 100mm. Cabinet base should not be added on this size, as the head end of the bed sits lower than the height of the plinth.

Bed Mechanism & Cabinet Assembly

1. **IMPORTANT:** Always make sure that the cabinet is securely fastened to the wall (angle brackets supplied) and adjoining cabinets, if possible. All wall bed and cabinet fixations must be regularly checked.
2. When building your prototype, if possible, set the cabinet out from the wall to enable access to understand the workings of the mechanism. Fit mounting plates to cabinet sides before sighting, as you will need access to the outsides to fit bolts.
3. The bed can now be mounted in the cabinet. The cast iron mounting plates are supplied with nuts, bolts and countersinks and **MUST** be used; the countersinks are to be set into the side panels for extra bearing strength - when the bed is under tension these are the points of most stress. The position of these plates in the cabinet is an important dimension and must be accurately drilled (page 4). Slacken the mechanism adjusters (anti clockwise) and ensure that the allen bolts on the mechanism are slackened. The sub frame is dismantled and packed flat. Only attach the automatic legs to the bed frame at this point. Now mount the bed frame within the cabinet.

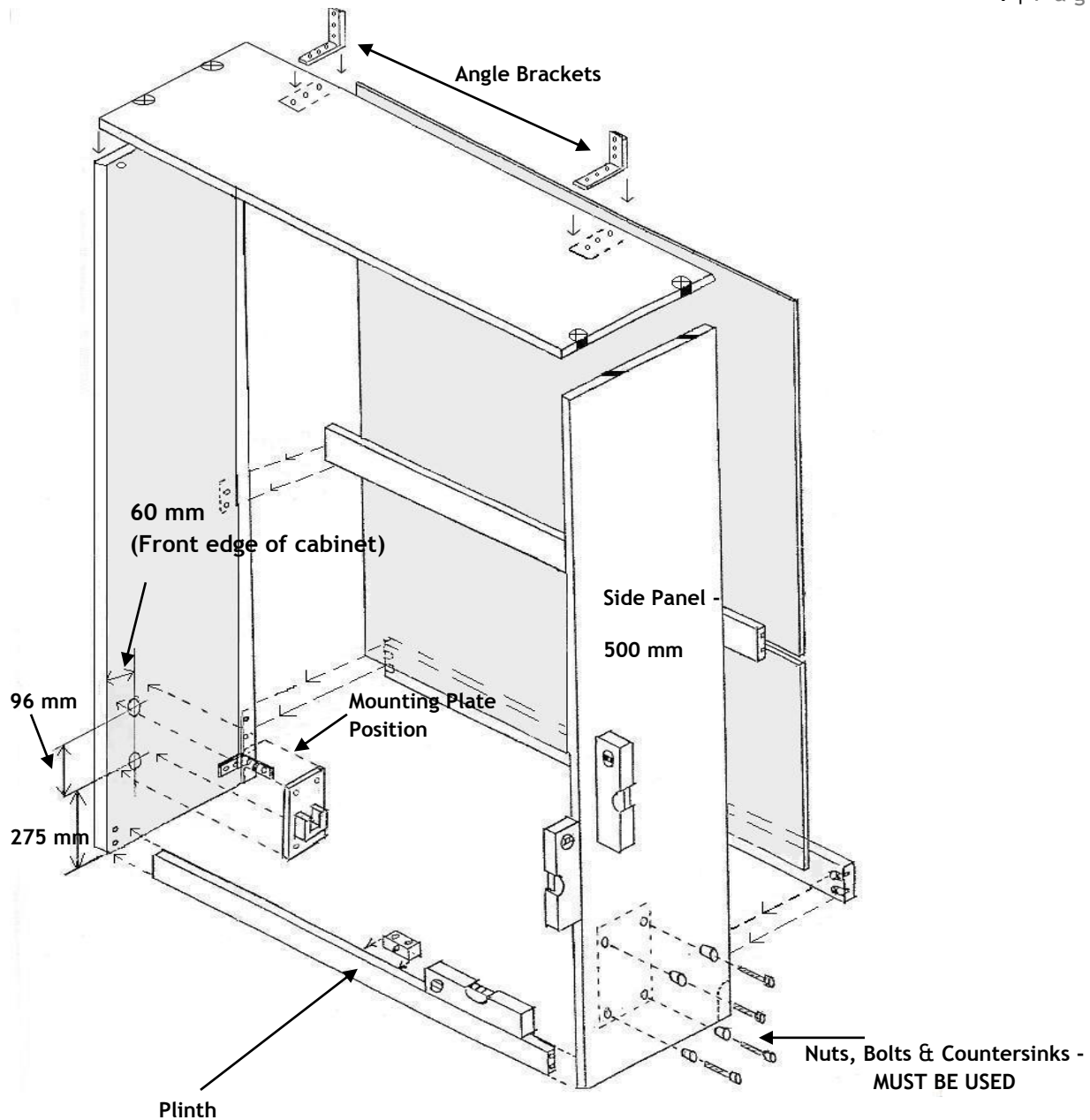
4. Now your cabinet is assembled and attached to the wall the headboard can be assembled. This is a simple arrangement, but important for safety by stopping 'things' falling down behind if the bed is lifted. A board slightly higher than the mattress, chamfered at the top edge is bolted to the bed frame. The chamfered end can then be attached to another chamfered edge board with a piano hinge, allowing it to run up and down automatically (see page 7).
5. Lay the doors face down on the floor. Fix the joining bars supplied to the doors, evenly spaced and central, attaching piano hinge to the inside face of the lower doors. Allow a 2 mm gap between all doors.
6. Now attach sub frames in position shown (see page 5). It is very important that the measurement of 140mm from the top of the door panel to the first hole of the sub frame is accurate, however if the door size has been either increased or decreased in size from the size advised in this guide this measurement must be adjusted accordingly. If this measurement is incorrect the geometry of the bed system will not operate correctly. The doors should be blocked up level with the plinth, and then the bottom door can be attached to the base (with piano hinge)
7. With the doors attached to the cabinet, the bed frame and sub frame can be joined together using bolts in the sub frame fixing position.
8. Carefully lift the door and bed frame to its vertical position and check that the doors are correctly aligned, if not then adjustment can be achieved by sliding the sub frame up or down the doors. Adjustment of the level of the bed from left to right can be achieved with the allen bolts in the mechanism lugs and the adjusters on the automatic feet. The adjusters on the footboard, part of the sub-frame, only sets the footboard vertically when the bed is down.

Adjusting the Bed Mechanism

When the bed is under tension it will hold the doors tight to the cabinet. The mattress must be on the bed for adjustment (using straps supplied). Checking the cabinet is securely fixed to the wall, adjust the mechanism with the bed slightly out (see page 4). Tighten hand tight evenly each side then using a 24 mm socket and ratchet (or similar) tighten the mechanisms again eight to twelve turns. The weight of the mattress and doors will determine the adjustment needed, but the aim is for smooth light action (note - sometimes springs will creak when settling). Bed, mattress and door should be made to self balance at 45° angle.

Tilting Doors

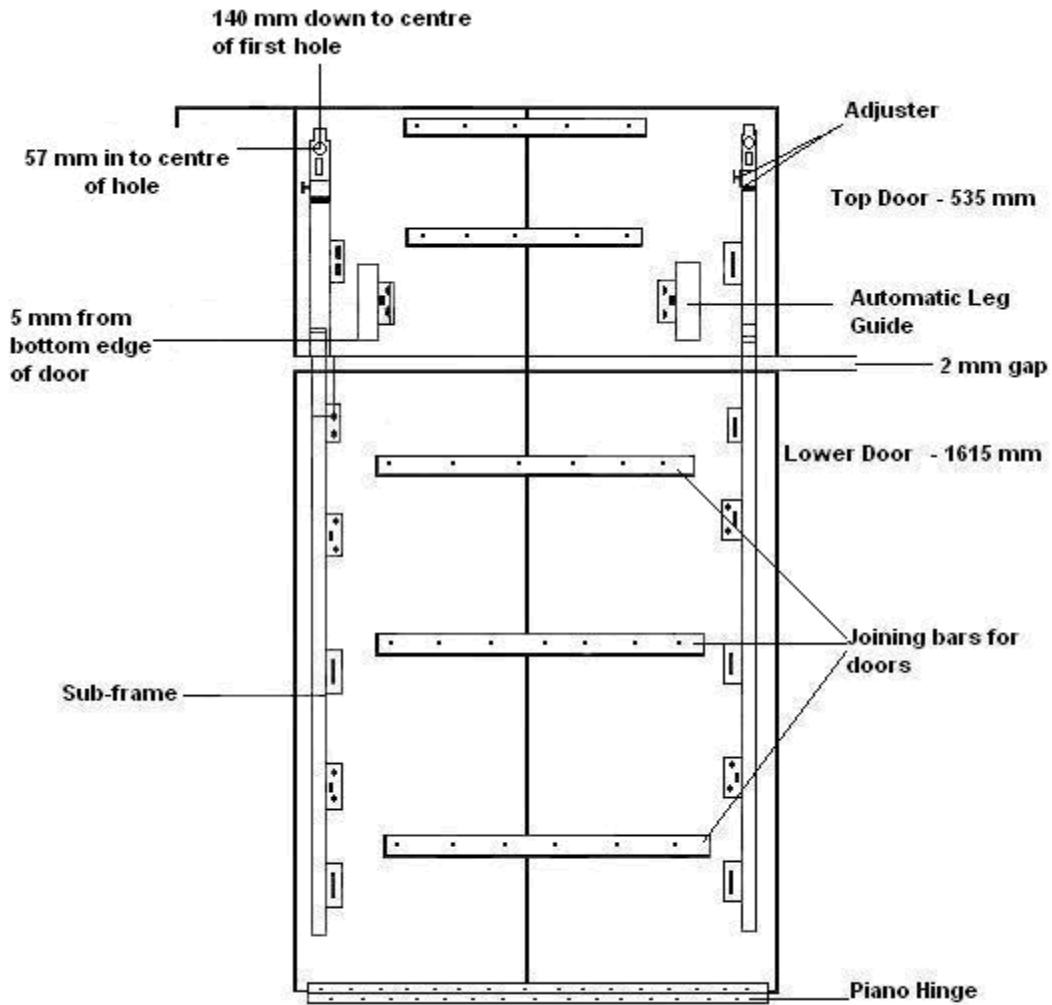
If the top doors are tilting once installed, you need to slacken the mechanism off at a 15 degree angle and then lower the bed into the down position. Once the bed is down you will see there is a black allen bolt on the mounting plate(s), which needs to be turned anti-clockwise until the doors are level / straightened. Once this has been done you need to re-tension the mechanism - as above.



Please note all dimensions are in **MM** - not to scale

- Overall Height 2260
- Minimum cabinet depth 500
- Top Door(s) 4 x 535 x 397 mm (3 x 535 x 529)
- Bottom door(s) 4 x 1615 x 397 mm (3 x 1615 x 529)
- Plinth 100 mm
- Internal cabinet width 1564
- Use level to square the cabinet(s)

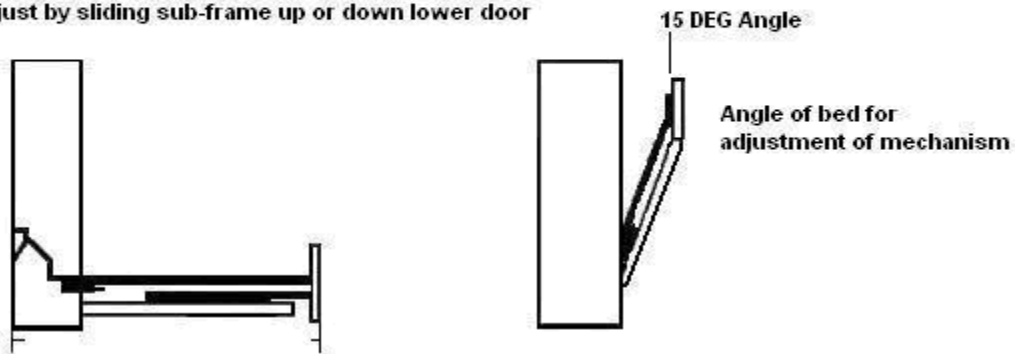
Please note these are guidelines only
Single Bed with 2 Panel Door shown for Illustration Only



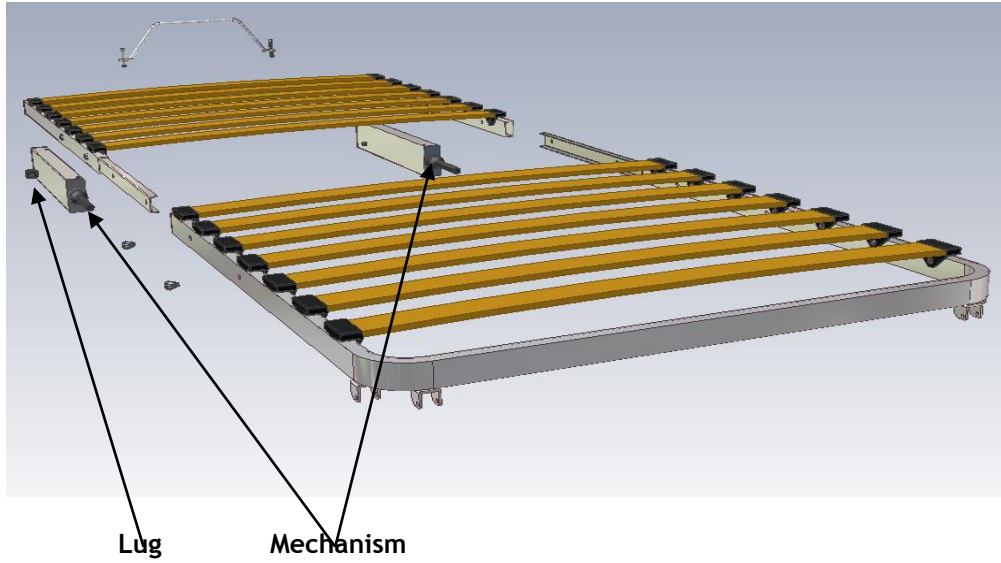
For framed doors the sub-frame bars maybe changed left to right so that the hinges are to the outer edge and attachable to the frames of the door

Using joining bars to join doors (if needed), attach sub-frames in position shown. Attach piano hinge to lower door then to case of cabinet. Connect sub-frame, sliding automatic legs into there guides

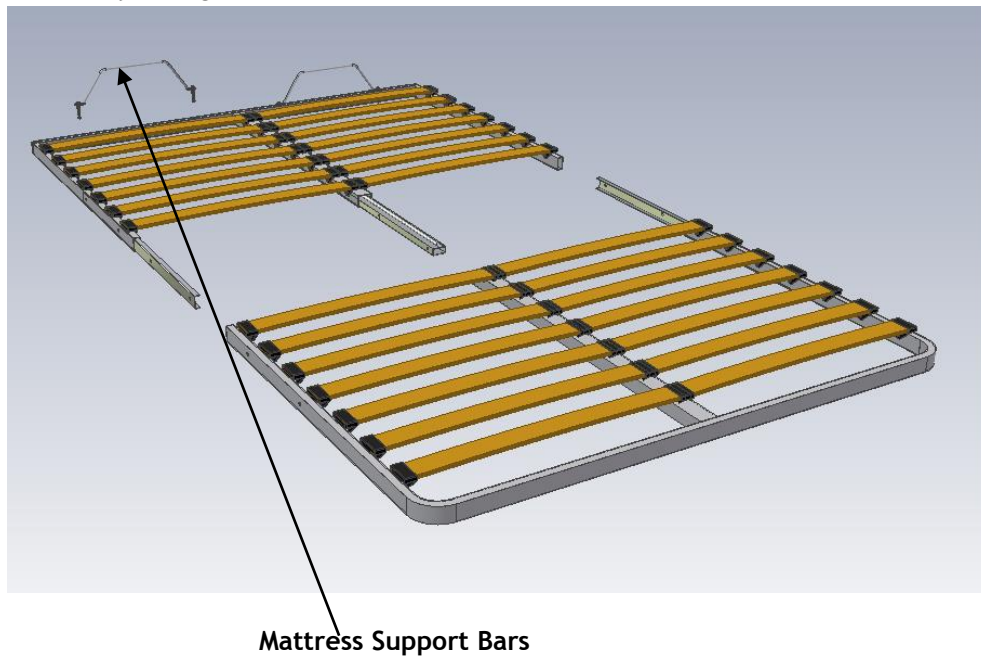
Adjust by sliding sub-frame up or down lower door



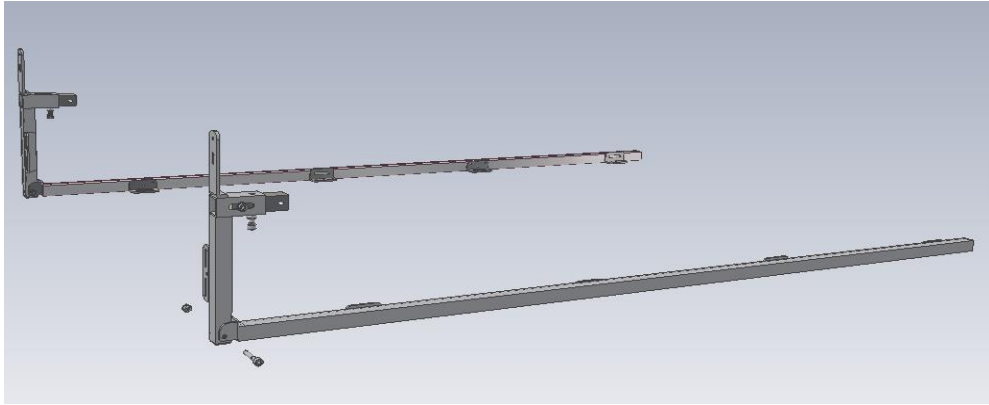
Single Bed shown for Illustration Only



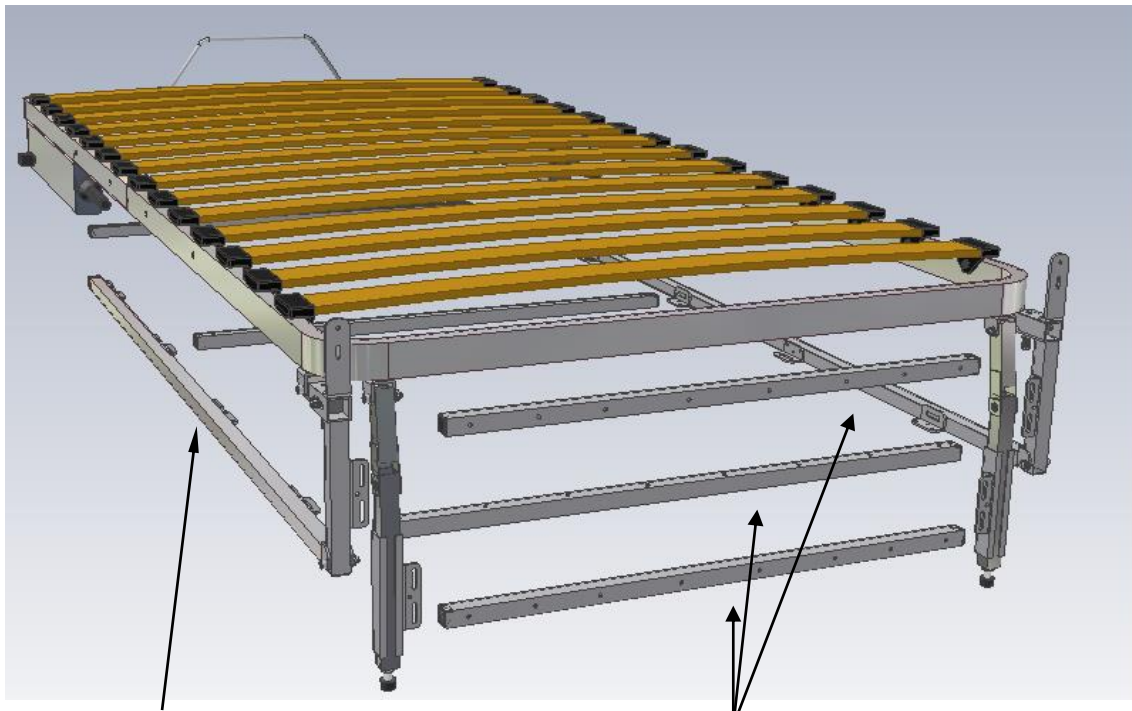
Bed Frame Assembly - King Bed



Sub-Frame



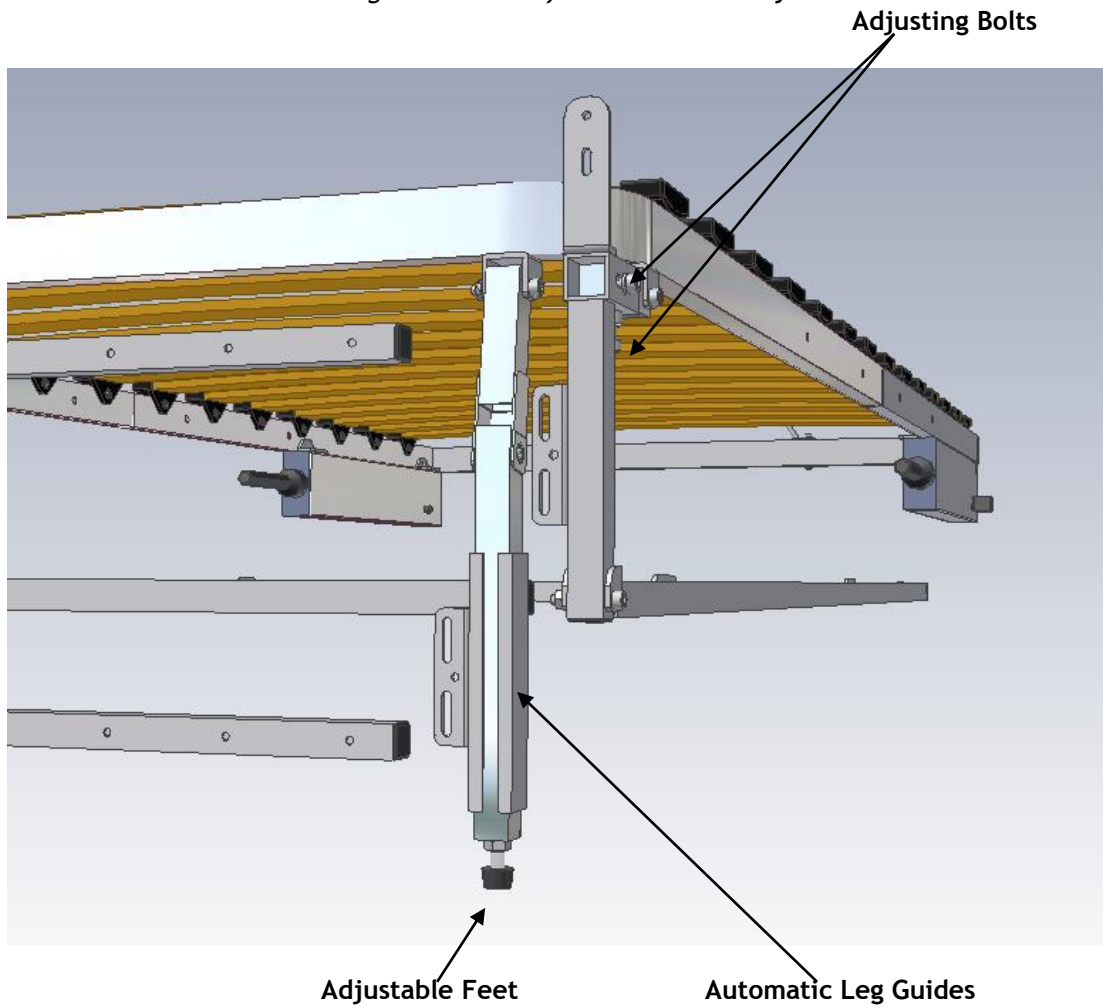
Single Bed shown for Illustration Only



Sub-Frame

Door Joining Bars x 5

Single Bed shown for Illustration Only



Headboard arrangement for an integrated cabinet

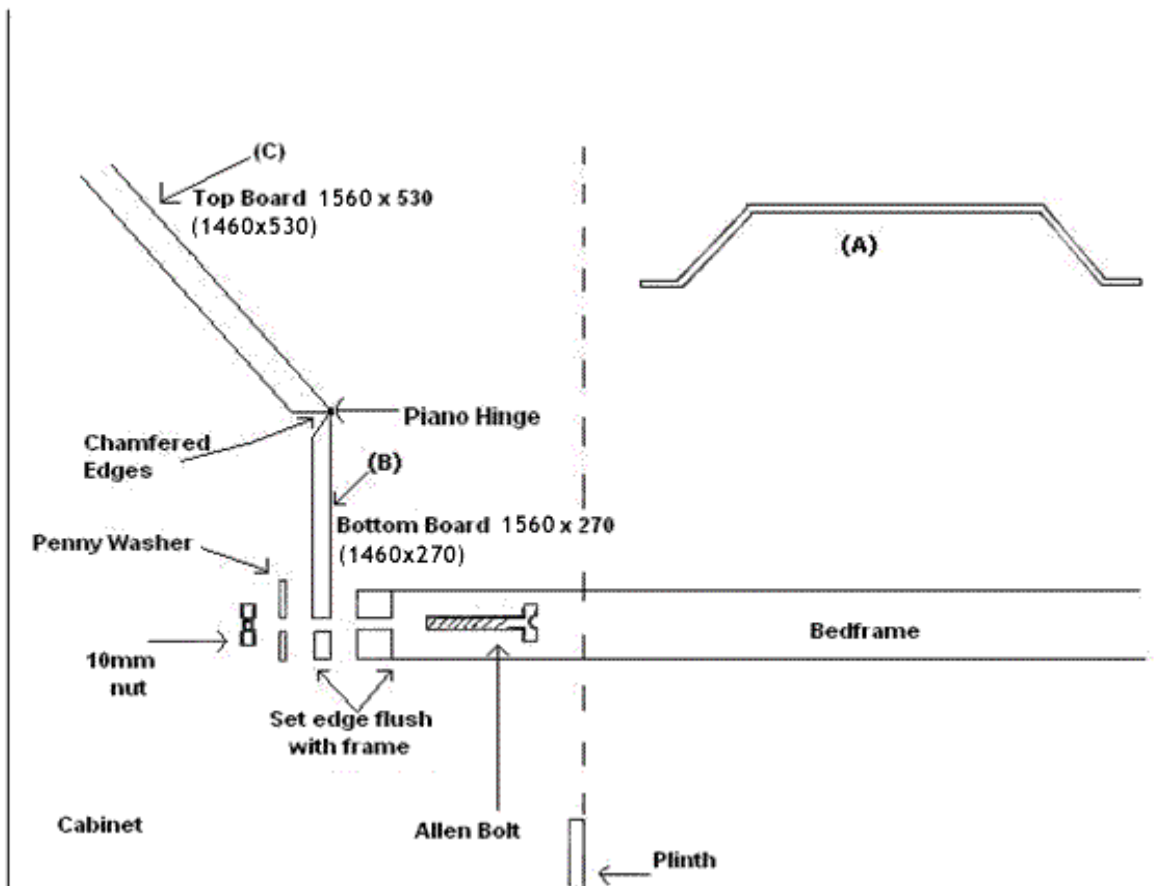
Please note headboard arrangement and fixings are not supplied. The headboard arrangement is intended as a guide based on our suggested cabinet depth - see page 2. Headboard dimensions are noted below (double dimensions in brackets).

All bed frames are supplied with mattress support bars (A) but these are to be disregarded where a headboard will be in use - **please retain the Allen bolts and nuts for re-use.**

The bed frame will need to be held at the foot end in the horizontal position by another person whilst attaching the headboard arrangement and the smaller panel (B) of the preassembled headboard is to be bolted to the bed frame head therefore remove some of the slats at the head of the bed to allow better access for this.

Suggested method:

Place the headboard into the position shown (the angled cut at the back). Align the headboard (C) with the cabinet sides with a 1 mm gap each side. Clamp the small panel (B) to the head of the bed-frame so the bottom edge of the panel is in line with the bottom edge of the bed-frame. Drill through the metal bed-frame and headboard panel with a 6 mm metal drill. Push the Allen bolts through the holes and place a penny washer behind the headboard panel and tighten the 10 mm nut onto the back. Replace the bedding slats and test to sure free movement when folding the bed.



Important Safety Information:

- The bed should only be operated by an adult.
- Due to the risk of entrapment, children should not play with the bed in the sleeping or stored positions.
- Ensure the bed cabinet is securely fixed to the wall (and adjoining units) before pulling the bed down.
- Always manually control the bed by maintaining hand contact with the bed frame whilst in ascent and descent. Do not let the bed drop freely or slam when opening / closing.
- Fasten your bedding to the mattress using the straps, and secure to the bed before closing the cabinet. Ensure that no bedding is protruding, as it may cause damage to the mechanism. Secure the pillow under the foot strap.
- Do not remove the mattress whilst the bed is in the horizontal position, unless the bed frame is being held by another person.
- Bed and cabinet should be checked regularly for signs of wear.
- If you are relocating the bed, do not remove any of the fixings until the bed is in a vertical position. Bed relocation is best done by a qualified fitter.
- Adjustable mechanisms should not be tampered with unless by a qualified fitter.

We employ a policy of continuous development and therefore reserve the right to alter specifications or illustrations in this manual at any time.

Fitted By:

Tel No:

Date: